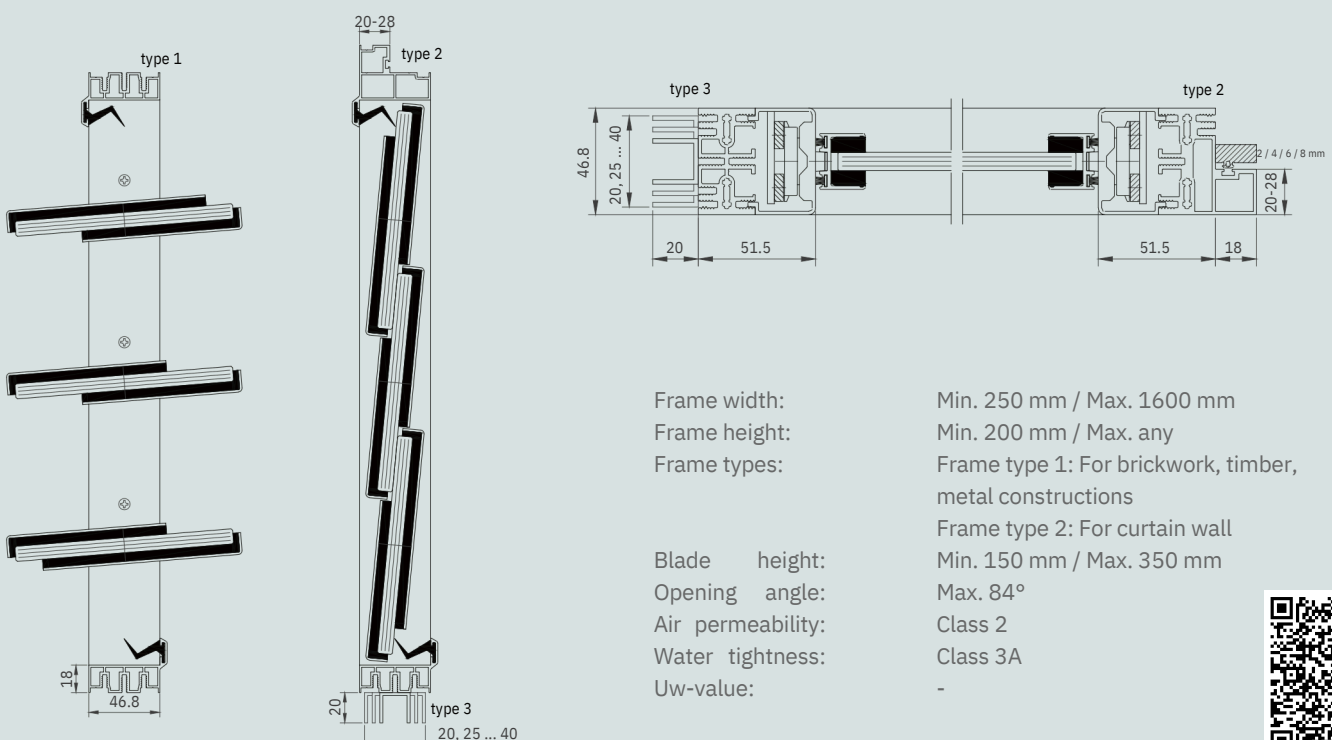




S9

Our single glass vent with overlapping louvres with slim glass carriers

The S9 Louvre Window was developed for optimized, controlled ventilation. It combines good water tightness with attractive architectural effect when insulated glazing is not necessary. Tested and certified for Natural ventilation (EN 14351-1) and Smoke ventilation (EN 12101-2).



Frame width:	Min. 250 mm / Max. 1600 mm
Frame height:	Min. 200 mm / Max. any
Frame types:	Frame type 1: For brickwork, timber, metal constructions Frame type 2: For curtain wall
Blade height:	Min. 150 mm / Max. 350 mm
Opening angle:	Max. 84°
Air permeability:	Class 2
Water tightness:	Class 3A
Uw-value:	-

