

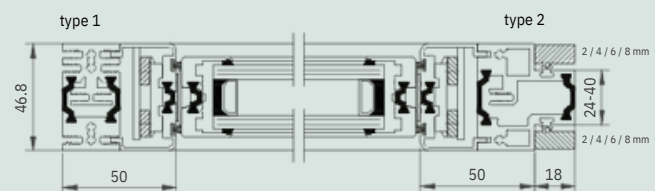
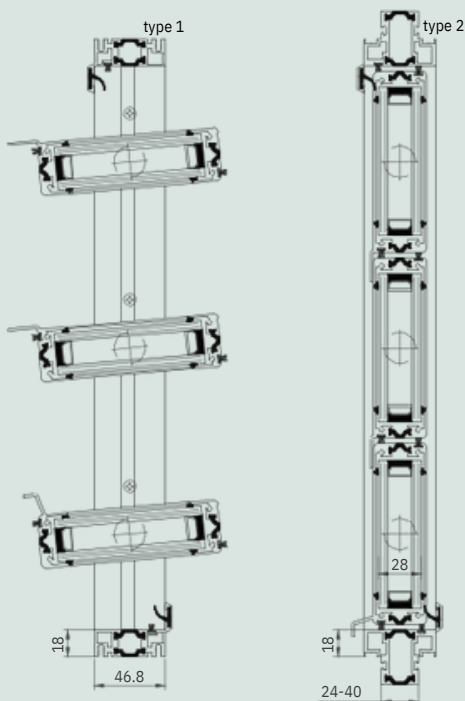


CLEARLINE
WINDOWS Ltd

S9-iVt-05

Our top seller with framed louvres

The S9-iVt-05 Louvre Window is preferred by many of our clients due to its outstanding advantages in regard to ventilation, weather tightness and thermal protection. Available with 28 mm or 32 mm glass thickness. Tested and certified for Natural ventilation (EN 14351-1), Smoke ventilation (EN 12101-2), Ball impact safety (DIN 18032-3), Burglar resistant (DIN EN 1627), Sound insulation (EN ISO 717-1) and Fall protection (DIN 18008-4).



Frame width:	Min. 250 mm / Max. 2000 mm
Frame height:	Min. 200 mm / Max. any
Frame types:	Frame type 1: For brickwork, timber, metal constructions Frame type 2: For curtain wall
Blade height:	Min. 150 mm / Max. 400 mm
Opening angle:	Max. 84°
Air permeability:	Class 3
Water tightness:	Class 4A
Uw-value:	Max. 1.6 W/m ² K